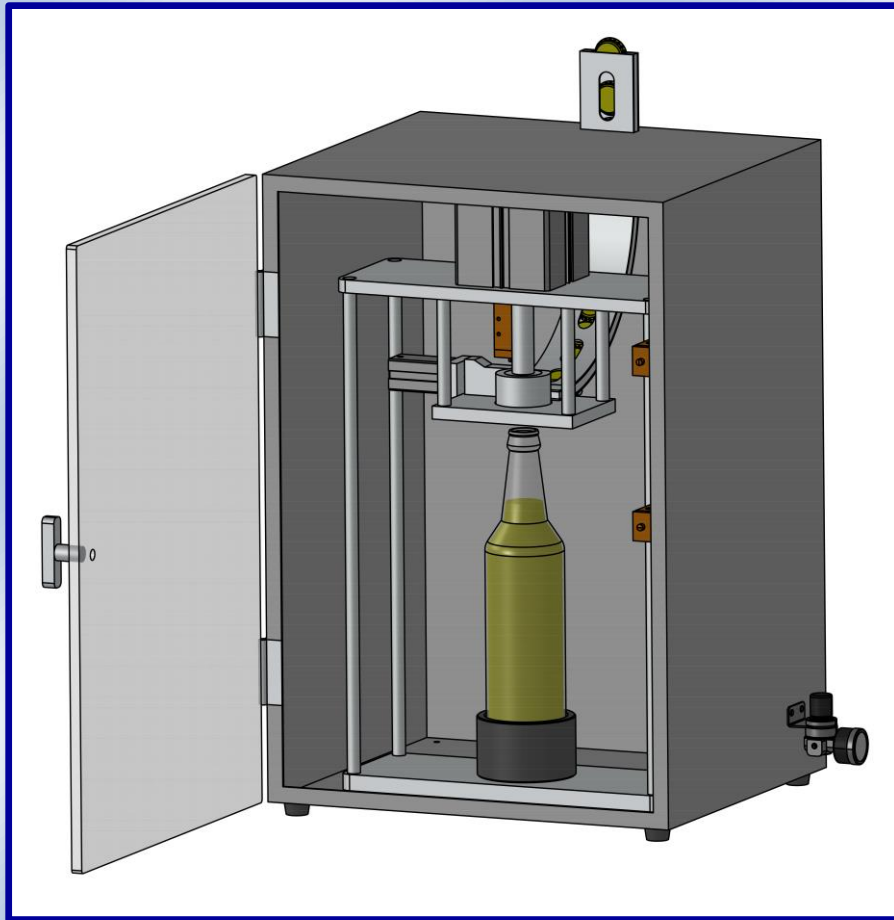


ACCC-1 Automated Crown Cap Capper



The AT2E ACCC-1 is an automated crown cap capper for laboratory using purpose.

Features:

- Pneumatic controlled.
- Various of safety design.
- Full automatic capping, the capping process will be accomplished when operator closes the door.
- Customize bottle spacer according to the sample dimensions.
- Stainless steel frame, strong and durable.
- Efficient cap preload design, up to 12 caps can be preloaded.

Technical specifications:

- Air supply: 5 - 8 bar
- Overall size: 400 x 360 x 685 mm
- Net weight: 40 kg