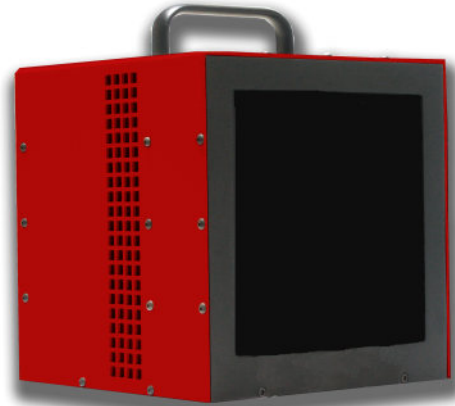


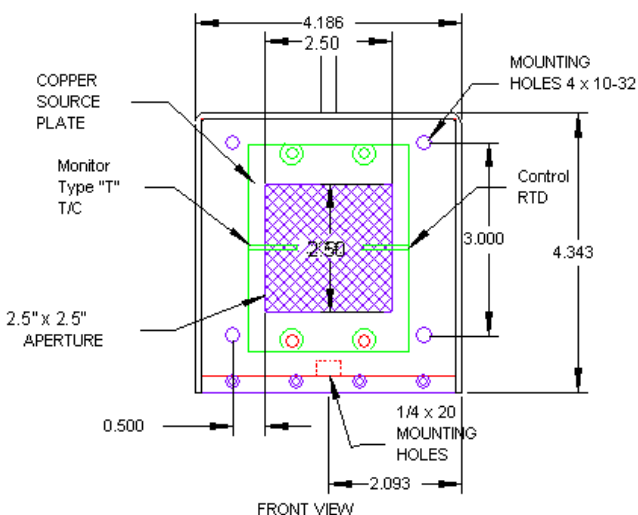
# BBS-EX-TE

## EXTENDED AREA BLACKBODY SERIES

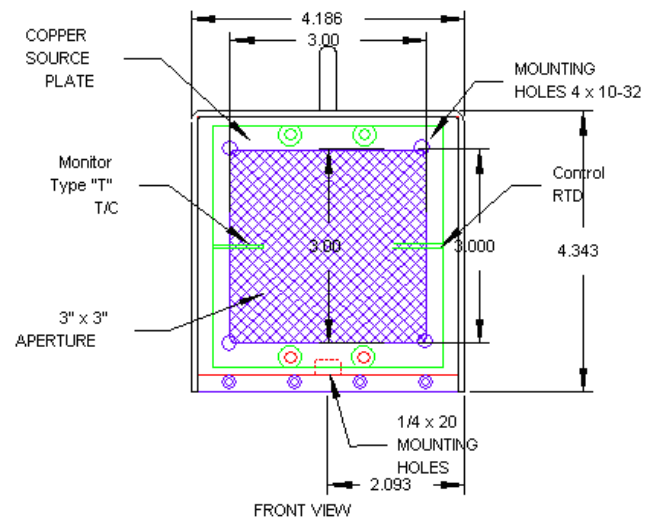


<b>Specifications:</b>	<b>BBS145-EX-TE-2.5</b>	<b>BBS75-EX-TE-2.5</b>	<b>BBS145-EX-TE-3</b>	<b>BBS150-EX-TE-6</b>
<b>Temperature Range:</b>	-5 to 145°C 23 to 293°F	-30 to 75°C -22 to 167°F	-5 to 145°C 23 to 293°F	5 to 150°C 41 to 302°F
<b>Emittance Watts/Cm<sup>2</sup> (Watts):</b>	0.17 (5.4)			
<b>Wavelength Range:</b>	1-99 um			
<b>Emissivity:</b>	0.96 +/- 0.02			
<b>Emitter Size: in (mm)</b>	2.5" x 2.5" (63.5 x 63.5)		3" x 3" (76.2 x 76.2)	6" x 6" (152.4x152.4)
<b>Temperature Resolution:</b>	0.1 C			
<b>Calibration Accuracy:</b>	+/- 0.2 C to NIST Standard			
<b>Stability: Short (Long) Term:</b>	+/- 0.1 C (+/- 0.2C)			
<b>Response Time:</b>	Ambient – Max <20 Min			
<b>Temperature Sensors:</b>	Platinum RTD & Type T			
<b>Control Type:</b>	Active Multi-Band P.I.D.			
<b>Line Voltage:</b>	90 to 125 or 208-240 VAC 50-60 Hz			
<b>Power Requirements:</b>	200 Watts Max			
<b>Cable Length:</b>	8 Feet (2.4 m)			
<b>Ambient Operating Temp:</b>	0 to 30°C, 32 to 86°F			
<b>Dimensions: in (mm)</b>	4.25" H x 4.25" D x 5" W (108 x 108 x 127)			8" H x 8" D x 8" W (203.2 x 203.2 x 203.2)
<b>Controller:</b>	5.1"H x 13.4"D x 12"W (130 x 340 x 304) Weight 9 lbs.			
<b>Warranty:</b>	1 Year			
<b>Optional Remote Interface:</b>	RS-232 or IEEE-488/GPIB			

## DIMENSIONS

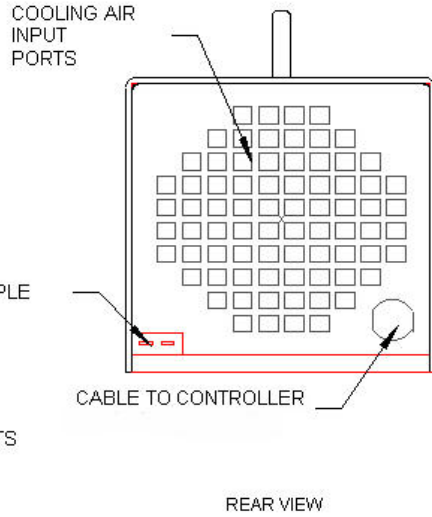
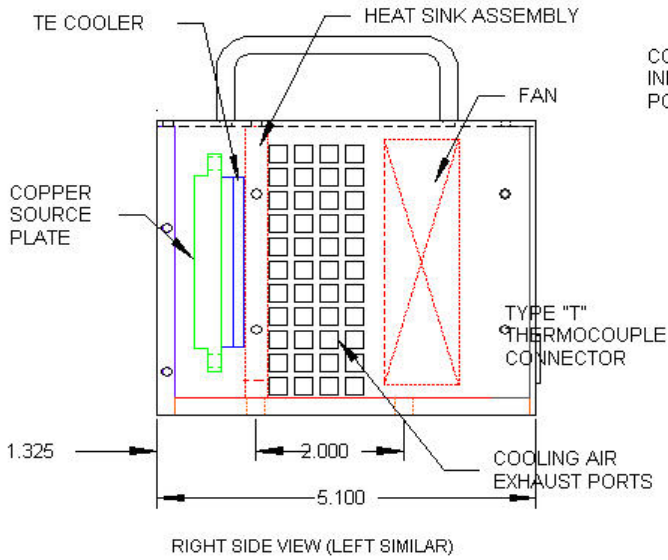


**BBS75-EX-TE-2.5**  
FRONT VIEW

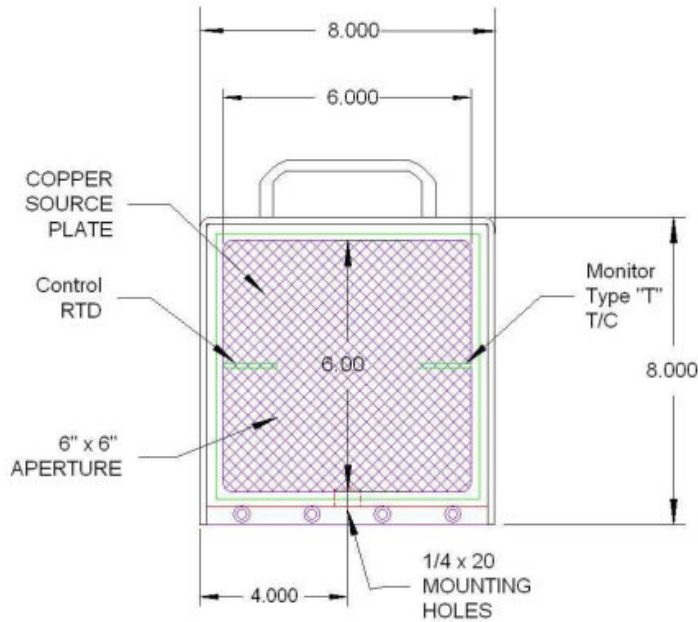


**BBS145-EX-TE-3**  
FRONT VIEW

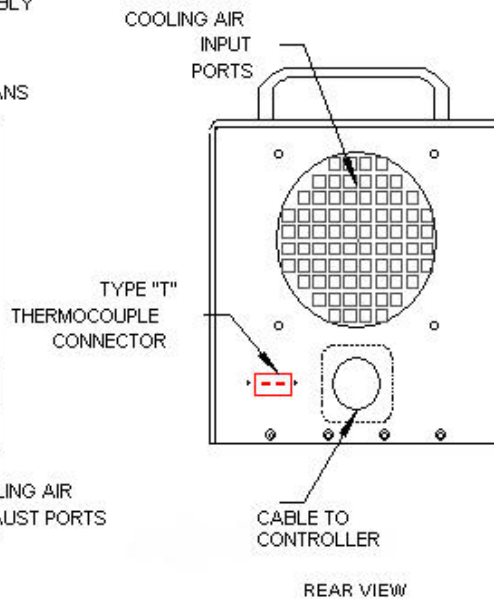
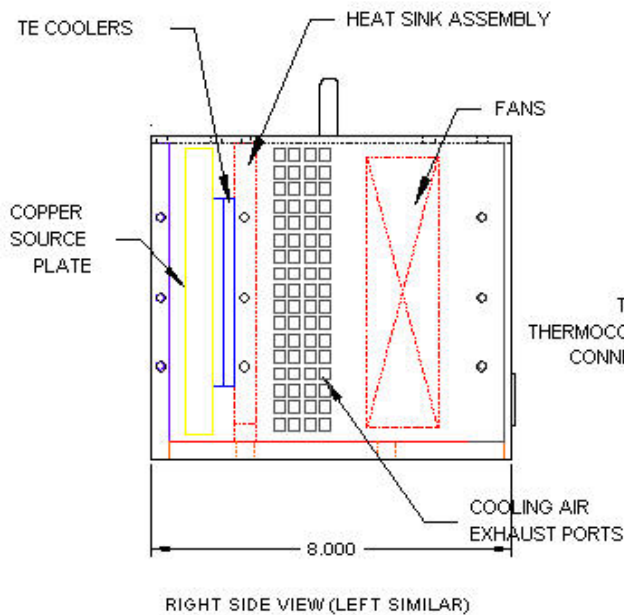
# DIMENSIONS



**BBS-EX-TE EXTENDED AREA BLACKBODY SERIES  
SIDE VIEW**



**BBS150-EX-TE-6  
FRONT VIEW**



**BBS150-EX-TE-6  
SIDE VIEW**

## PROCESS SENSORS CORPORATION

IR Temperature Sales Office: 787 Susquehanna Avenue, Franklin Lakes, NJ USA • Tel: 774-399-0461

Corporate Headquarters: 8 Technology Drive, Westborough, MA USA • Tel: 774-399-0500 • [www.ProcessSensorsIR.com](http://www.ProcessSensorsIR.com) • [irtemp@processsensors.com](mailto:irtemp@processsensors.com)